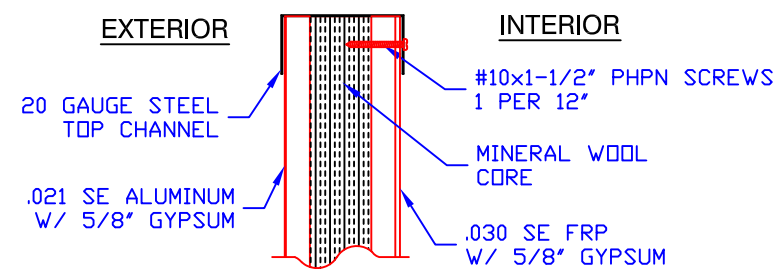
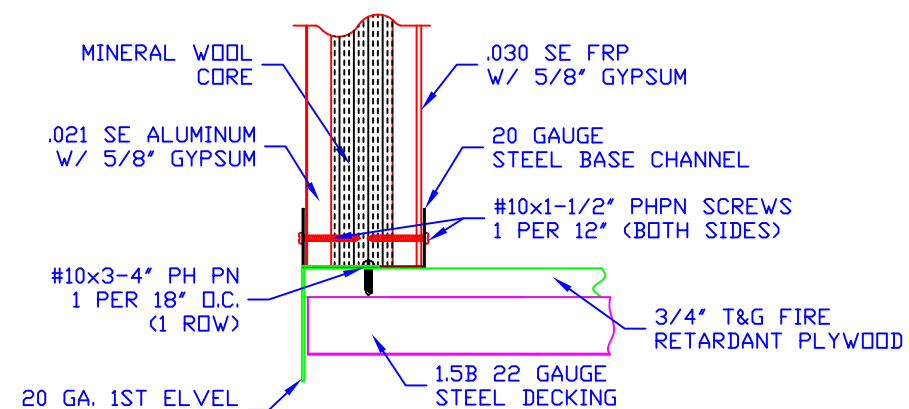


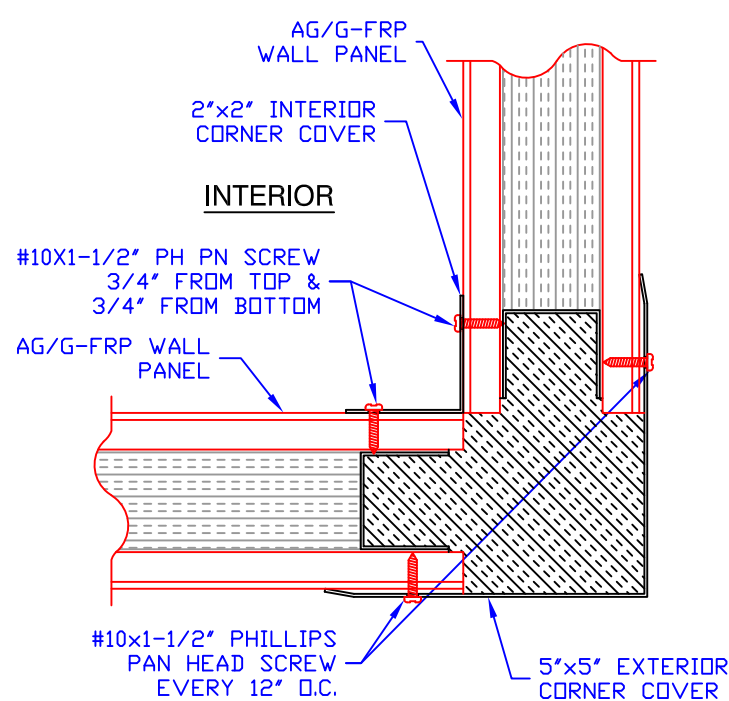
PANEL-BUILT	
JOB NUMBER:	
DATE: 04/11/2005	
THIS DRAWING IS THE PROPERTY OF PANEL-BUILT, INC. AND MAY NOT BE USED WITHOUT EXPRESS WRITTEN PERMISSION OF PANEL-BUILT, INC. ALL INFORMATION SHOWN ON THIS DRAWING IS THE PROPERTY OF PANEL-BUILT, INC. AND MAY NOT BE USED IN WHOLE OR PART WITHOUT SPECIFIC WRITTEN PERMISSION OF PANEL-BUILT, INC.	Phone: 706-745-6540 FAX: 706-745-1450 Revision: - PAGE 10 OF 11
Designed: J. Wallace	Checked: T. Breland
Checked: J. Wallace	Approved: M. Keirnan



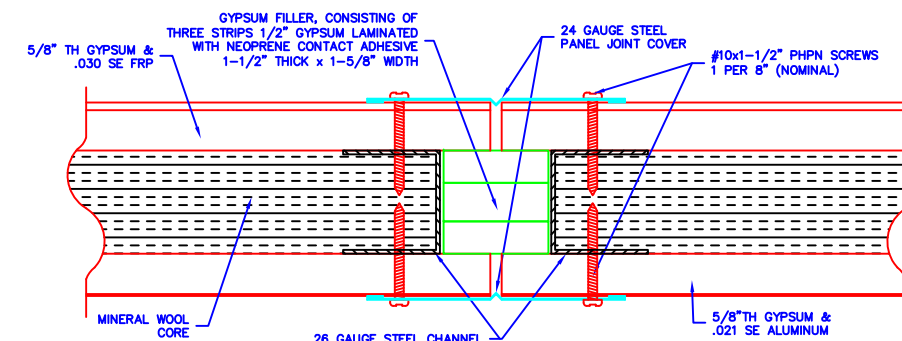
2ND LEVEL TOP CHANNEL ATTACHMENT



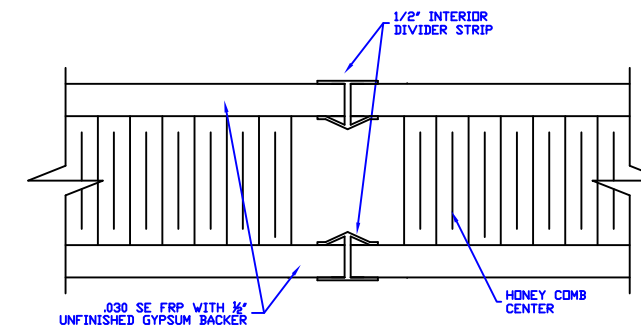
2ND LEVEL BASE CHANNEL ATTACHMENT



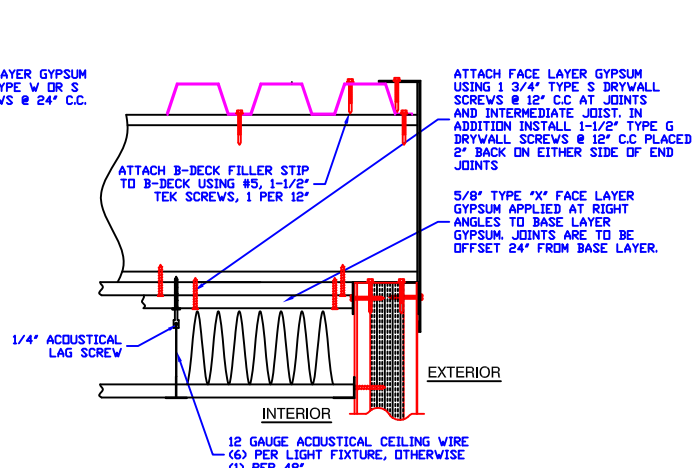
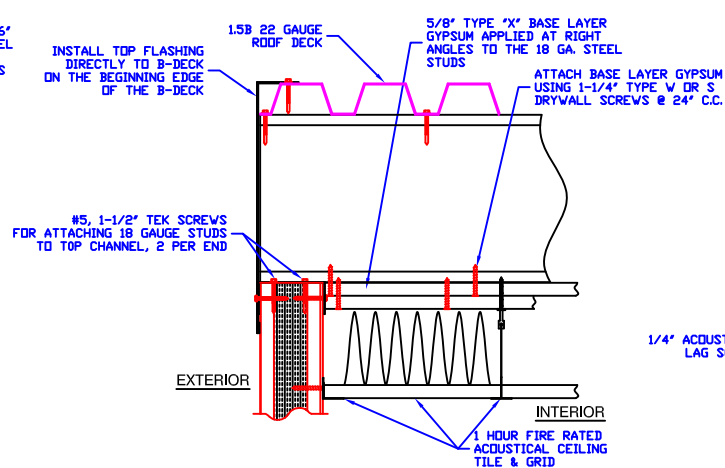
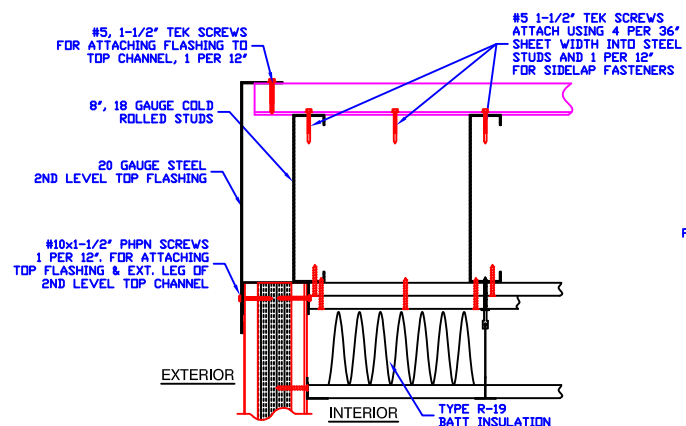
CORNER POST ATTACHMENT



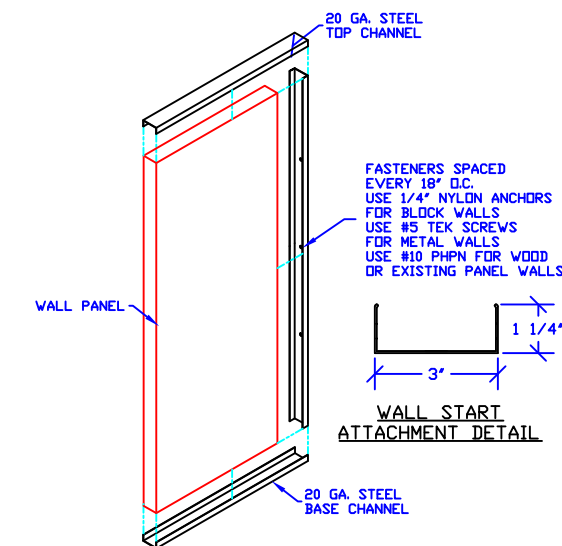
1-HOUR FIRE RATED PANEL JOINT COVER ATTACHMENT



INTERIOR WALL PANEL JOINT DETAIL



2ND LEVEL CEILING ATTACHMENTS



WALL START ATTACHMENT DETAIL

PANEL-BUILT	
JOB NUMBER:	
DATE: 04/11/2005	
THIS DRAWING IS THE PROPERTY OF PANEL-BUILT, INC. AND MAY NOT BE USED WITHOUT EXPRESS WRITTEN PERMISSION OF PANEL-BUILT, INC. ALL INFORMATION SHOWN ON THIS DRAWING IS THE PROPERTY OF PANEL-BUILT, INC. AND MAY NOT BE USED IN WHOLE OR PART WITHOUT SPECIFIC WRITTEN PERMISSION OF PANEL-BUILT, INC.	Phone: 706-745-6540 FAX: 706-745-1450 Revision: - PAGE 11 OF 11
Designed: J. Wallace	Checked: T. Breland
Checked: J. Wallace	Approved: M. Keirnan