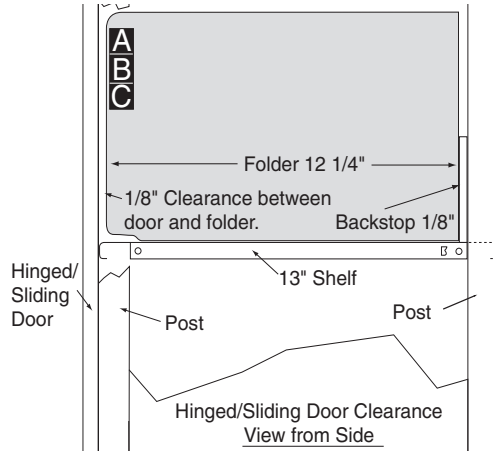


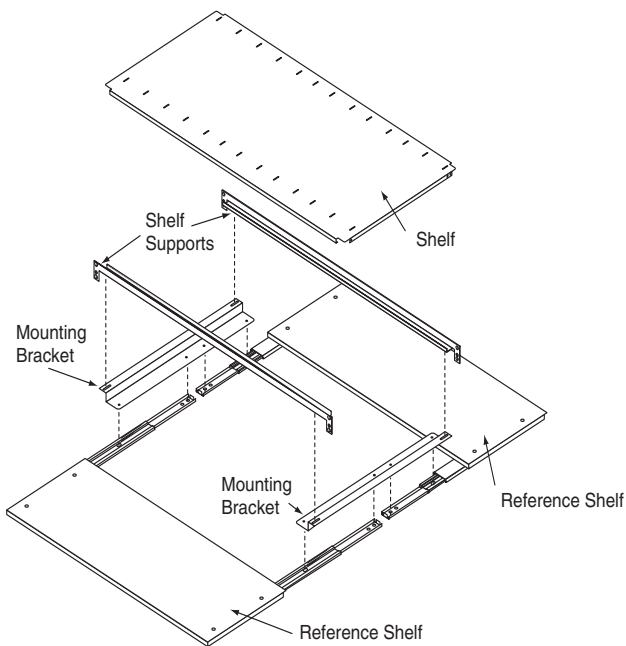
# GUIDELINES FOR WORKING WITH AURORA SHELVING PRODUCTS



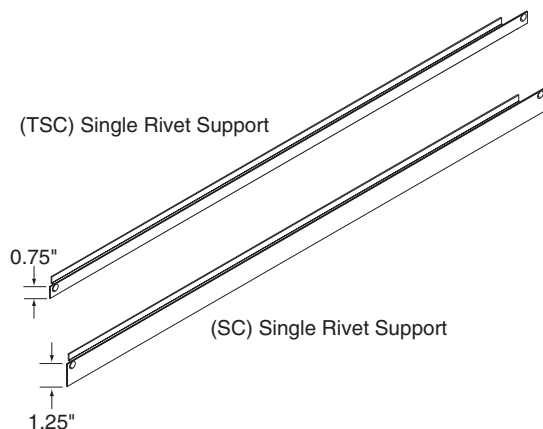
## HINGED/SLIDING DOORS

When using hinged or sliding doors with END TAB letter or legal files it is recommended that you use our 13" deep shelving for letter size document storage and our 16" deep shelving for legal size document storage. **Failure to do so may result in damage to your customer's file folders.** Use of hinged doors on 76.25" high shelving units with eight shelves, seven openings will result in the loss of 1.5" (one keyhole slot) clearance on one shelf level due to the 4.25" door base.

## REFERENCE SHELVES

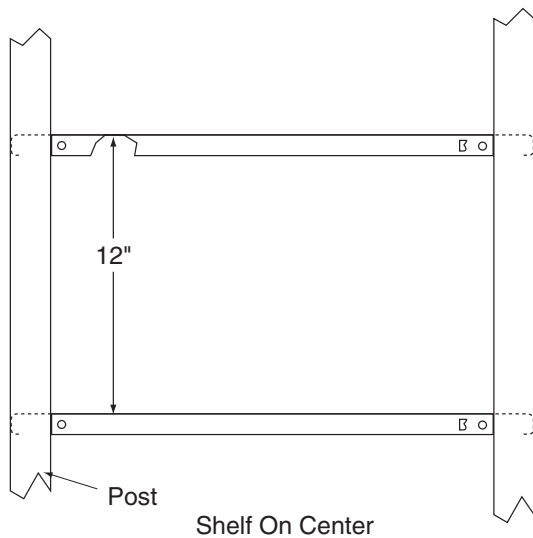


To use a reference shelf on either 76.25" high units with eight shelves, seven openings or on the 97.25" high units with ten shelves, nine openings convert from the standard 2.75" Quik-Base to single rivet shelf supports. By making this conversion you will maintain 9.75" clearance between shelves. When using 88.25" high units with nine shelves, eight openings convert from the standard 4.25" Quik-Base to the 2.75" Quik-Base to maintain a 9.75" clearance between shelves. Use of a reference shelf on a 64.25" or 85.25" high unit will decrease the clear opening on one shelf level by 1.5" (the 64.25" high units are preconfigured with single rivet supports on the bottom shelf as are the 85.25"). **A 30" wide reference shelf fits, all except 30" wide shelving units.** To provide access to a reference shelf from either side of a double face shelving unit, at one shelf level, you must order one reference shelf and one reference shelf kit. The kit includes the brackets needed to attach the reference shelf to the shelf supports (e.g. 3012RS and 3012RS-24).



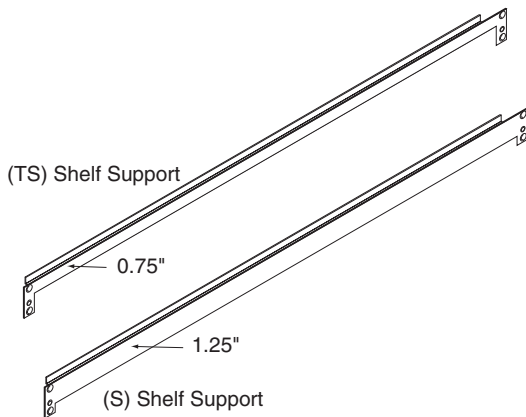
## SINGLE RIVET SHELF SUPPORTS

There are two different single rivet shelf supports available. The (TSC) supports have a 0.75" profile. When used, there will be a 0.5" gap between the bottom of the supports and the floor or mobile carriage surfaces. The 64.25" high shelving units are configured with the (TSC) supports. The (SC) supports have a 1.25" profile. When used, there will be no gap between the floor or mobile carriage surface. The (SC) support is the most commonly used single rivet support. **The single rivet shelf support should only be used on the bottom shelf level.**



## SHELF ON CENTER

The on-center dimension of a particular shelf opening refers to the vertical distance from the center of one shelf edge to the center of the shelf edge immediately below it. This dimension can be arrived at by measuring the distance from the top of one shelf to the top of the shelf below it as shown at left.

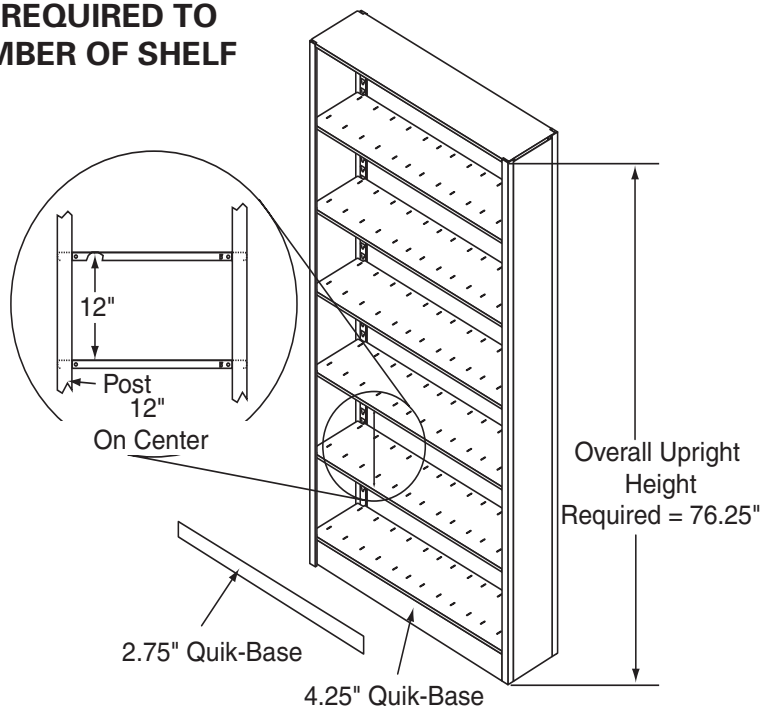


## SHELF CLEARANCE

To calculate the clearance between shelves, first determine the on center shelf dimension. (See above) Now simply deduct the profile of the shelf support (0.75" for **TS** supports and 1.25" for **S** supports) from the on center dimension. For example: 12" on center - 0.75" **TS** support = 11.25" clearance between shelves.

## DETERMINING UPRIGHT HEIGHT REQUIRED TO ACCOMMODATE A SPECIFIC NUMBER OF SHELF OPENINGS

First calculate the on center dimension of the shelf opening required (**if different clearances are required within a single section of shelving, you must calculate the on center dimension for each of the different openings**). Once this is done, multiply the number of openings by their on center dimensions. Next determine if a 4.25" or 2.75" Quik-Base\* or a 1.25" single rivet shelf support will be used. Add the appropriate one to the result of the earlier calculation and you will have the overall height required to accommodate the shelf openings. For example: Number of openings 6 x on center shelf dimension 12" = 72" plus a 4.25" Quik-Base = an overall upright height of 76.25"



\*Quik-Base U.S. Patent 6,105,513

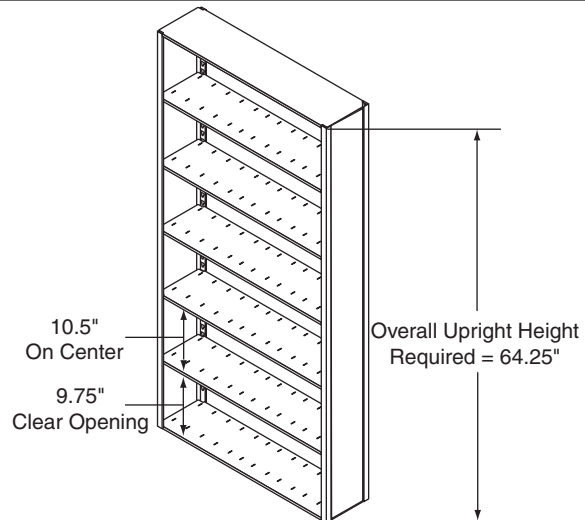
# AURORA SHELVING UNITS

UNIT DESCRIPTION:  
64.25" H, 7 Shelves 6 Openings  
**e.g.F12C7L36**

SUPPORTS:  
Units supplied with Two  
single rivet bottom supports  
(TSC) 0.75"H

SHELF ON CENTER:  
10.5 inches

SHELF CLEAR OPENING:  
9.75 inches

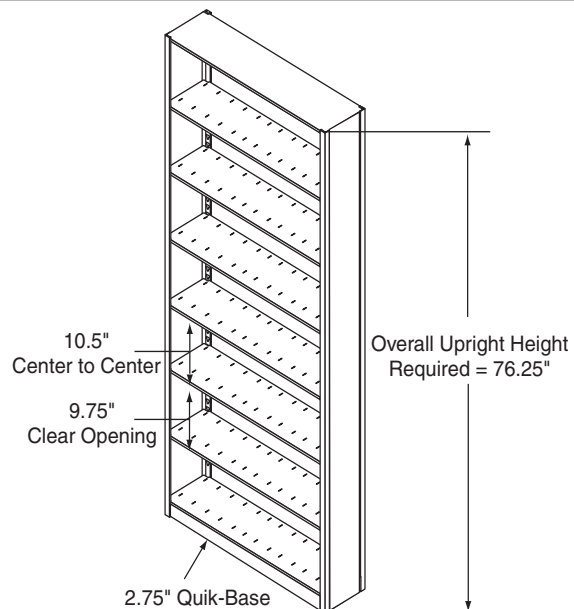


UNIT DESCRIPTION:  
76.25" H, 8 Shelves 7 Openings  
**e.g.F12C8L36**

QUIK-BASE:  
2.75" high

SHELF ON CENTER:  
10.5 inches

SHELF CLEAR OPENING:  
9.75 inches

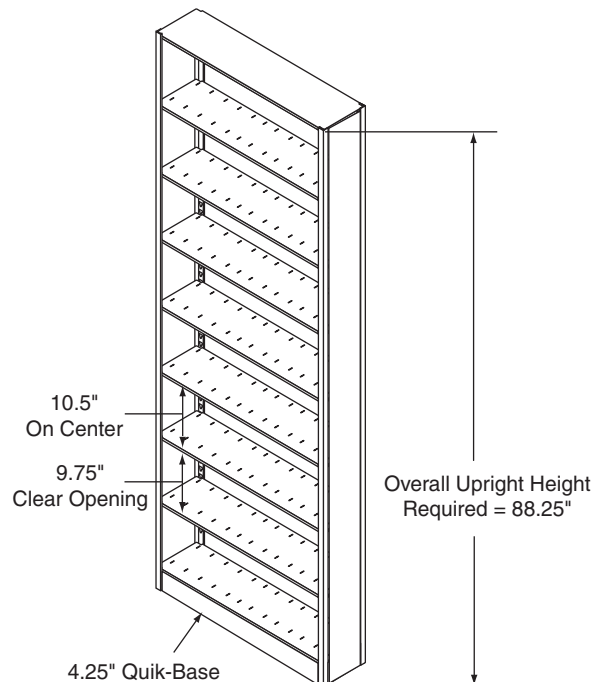


UNIT DESCRIPTION:  
88.25" H, 9 Shelves 8 Openings  
**e.g.F12C9L36**

QUIK-BASE:  
4.25" high

SHELF ON CENTER:  
10.5 inches

SHELF CLEAR OPENING:  
9.75 inches

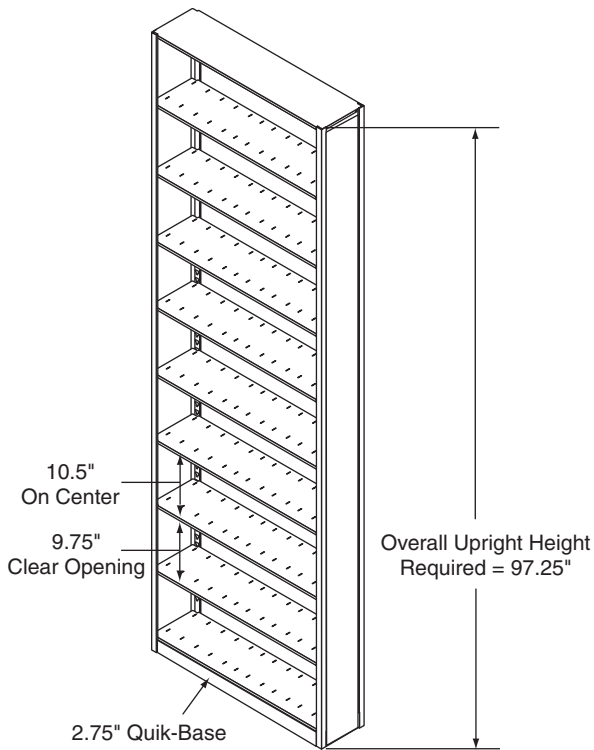


UNIT DESCRIPTION:  
97.25" H, 10 Shelves 9 Openings  
**e.g.F12C10L36**

QUIK-BASE:  
2.75" high

SHELF ON CENTER:  
10.5 inches

SHELF CLEAR OPENING:  
9.75 inches

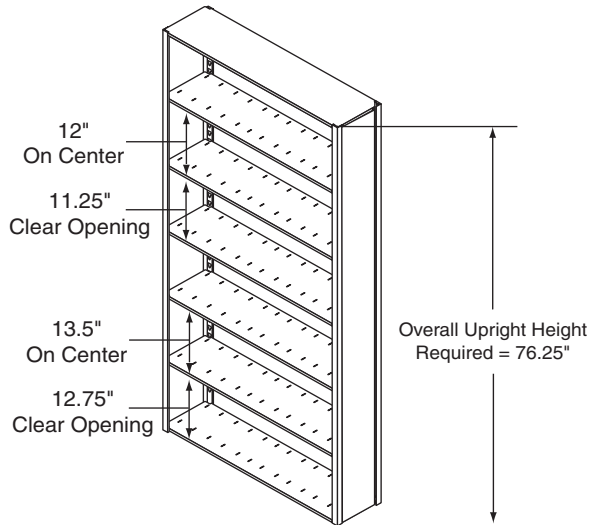


UNIT DESCRIPTION:  
76.25" H, 7 Shelves 6 Openings  
(mobile ready)  
**e.g.F12C7L36-76M**

SUPPORTS:  
Unit supplied with two single rivet  
bottom supports  
(SC) 1.25" high

SHELF ON CENTER:  
4 shelves at 12 inches  
2 shelves at 13.5 inches

SHELF CLEAR OPENING:  
4 shelves at 11.25 inches  
2 shelves at 12.75 inches

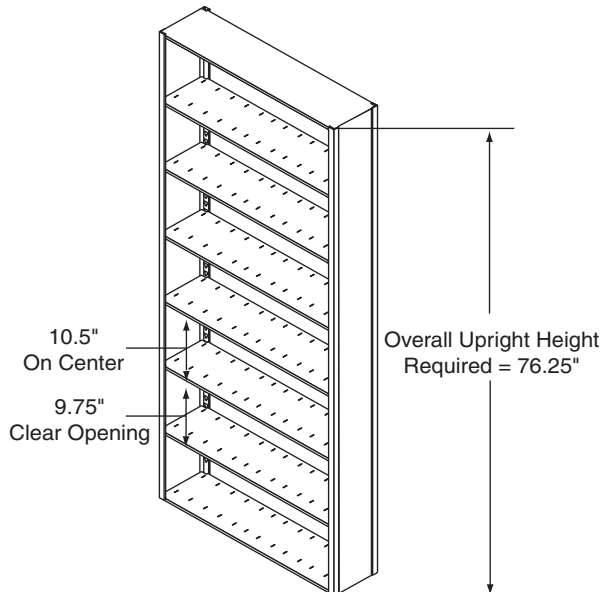


UNIT DESCRIPTION:  
76.25" H, 8 Shelves 7 Openings  
(mobile ready)  
**e.g.F12C8L36-M**

SUPPORTS:  
Unit supplied with two single rivet  
bottom supports  
(SC) 1.25" high

SHELF ON CENTER:  
10.5 inches

SHELF CLEAR OPENING:  
9.75 inches

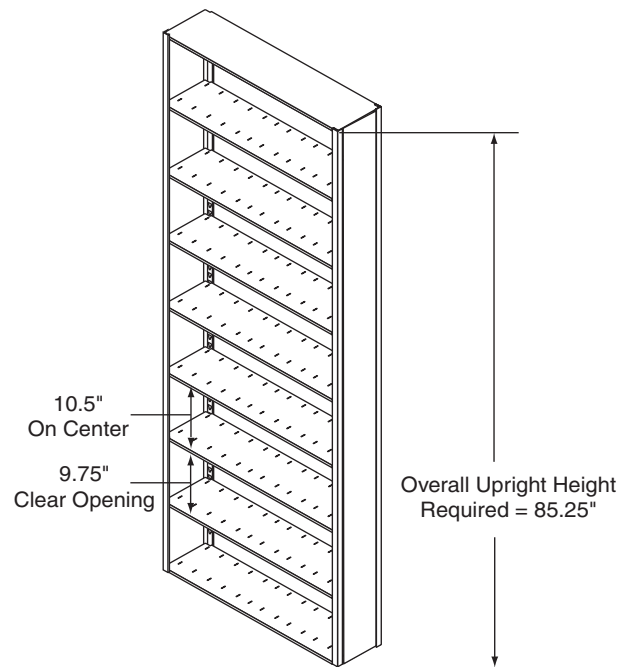


UNIT DESCRIPTION:  
85.25" H, 9 Shelves 8 Openings  
(mobile ready)  
**e.g.F12C9L36-85**

SUPPORTS:  
Unit supplied with two single rivet  
bottom supports  
(SC) 1.25" high

SHELF ON CENTER:  
10.5 inches

SHELF CLEAR OPENING:  
9.75 inches

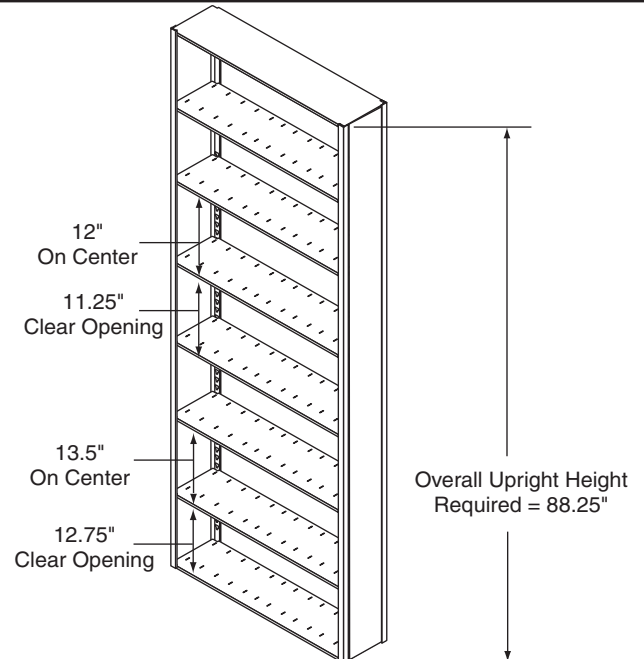


UNIT DESCRIPTION:  
88.25" H, 8 Shelves 7 Openings  
(mobile ready)  
**e.g.F12C8L36-88M**

SUPPORTS:  
Unit supplied with two single rivet  
bottom supports  
(SC) 1.25" high

SHELF ON CENTER:  
5 shelves at 12 inches  
2 shelves at 13.5 inches

SHELF CLEAR OPENING:  
5 shelves at 11.25 inches  
2 shelves at 12.75 inches

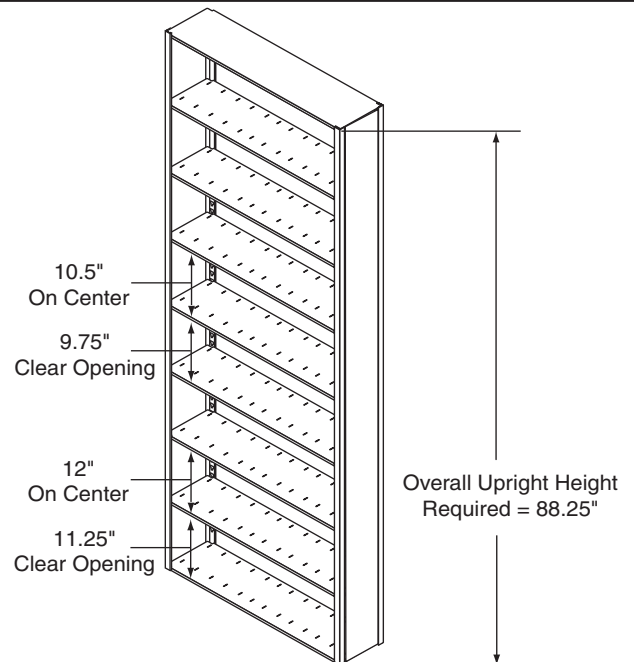


UNIT DESCRIPTION:  
88.25" H, 9 Shelves 8 Openings  
(mobile ready)  
**e.g.F12C9L36-M**

SUPPORTS:  
Unit supplied with two single rivet  
bottom supports  
(SC) 1.25" high

SHELF ON CENTER:  
6 shelves at 10.5 inches  
2 shelves at 12 inches

SHELF CLEAR OPENING:  
6 shelves at 9.75 inches  
2 shelves at 11.25 inches

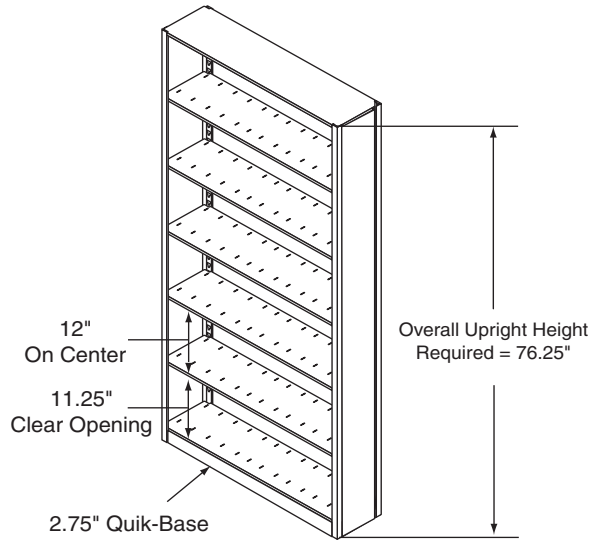


UNIT DESCRIPTION:  
76.25" H, 7 Shelves 6 Openings  
**e.g.F12C7L36-76**

QUIK-BASE:  
2.75" high

SHELF ON CENTER:  
12 inches

SHELF CLEAR OPENING:  
11.25 inches

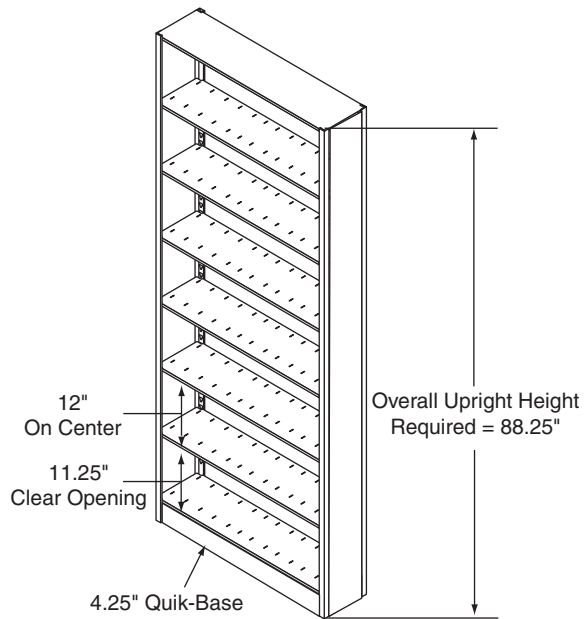


UNIT DESCRIPTION:  
88.25" H, 8 Shelves 7 Openings  
**e.g.F12C8L36-88**

QUIK-BASE:  
4.25" high

SHELF ON CENTER:  
12 inches

SHELF CLEAR OPENING:  
11.25 inches



600 S. LAKE STREET • AURORA, IL 60506  
PHONE: 1-800-277-1699 • FAX: 630-897-6994  
WWW.AURORASHELVING.COM